









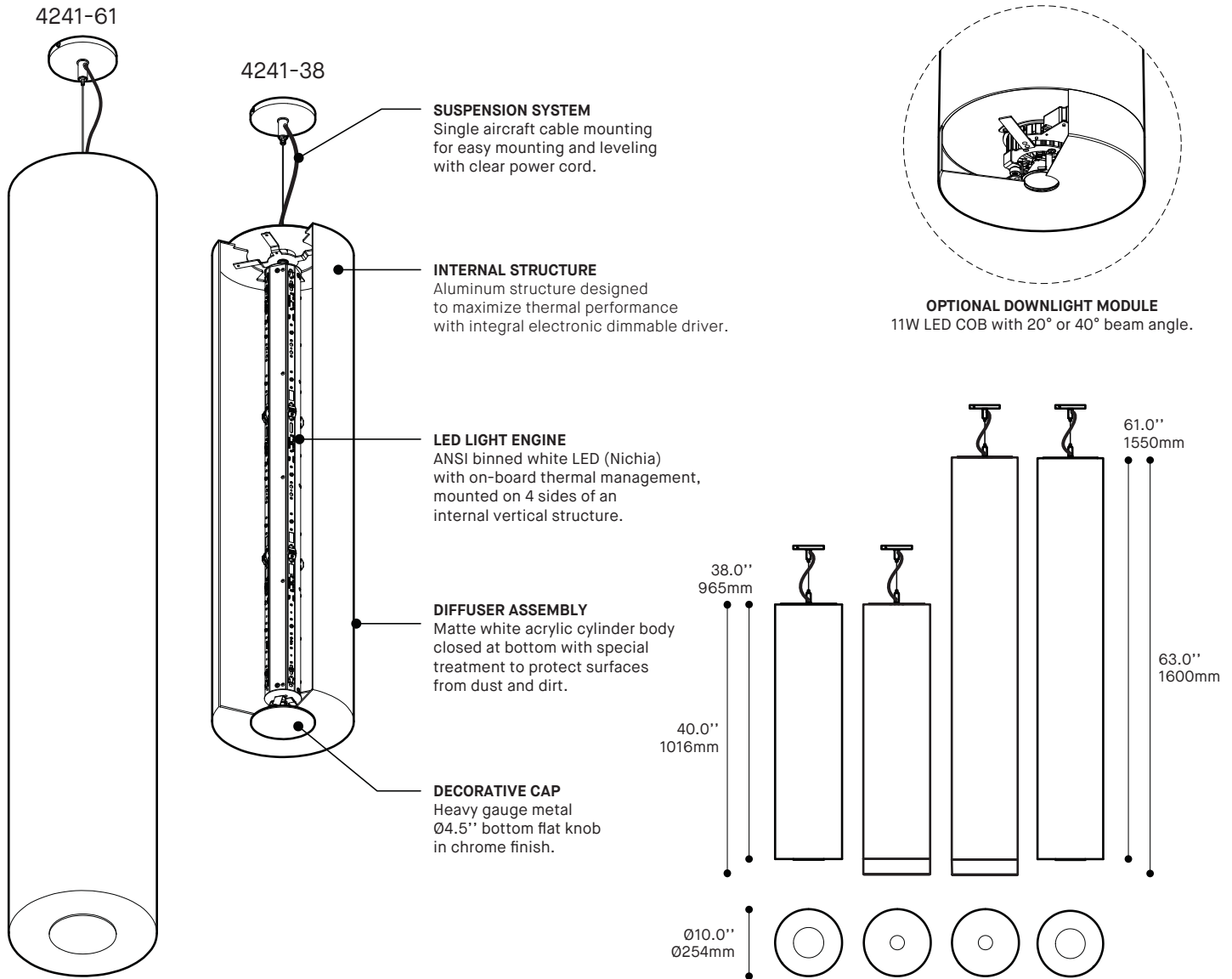




TIMELESS LUMINAIRE

Available in two diameters and two lengths, the Sentinel and Cannon are the result of a timeless tubular design with custom-built next-generation LED light engines.

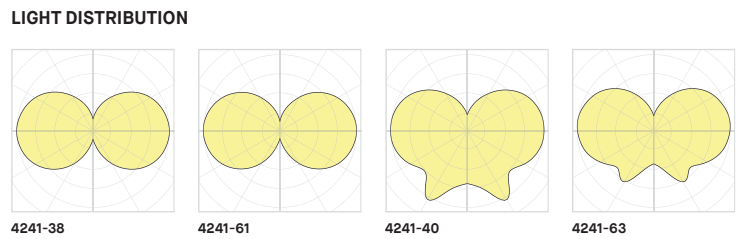
CANNON 4241-XX



PRODUCT SPECIFICATION	4241-38	4241-61	4241-40	4241-63
PERFORMANCE				
SYSTEM WATTAGE	49.9W	83.2W	63.9W	95.5W
DELIVERED LUMENS (4000K)	5073LM	8454 LM	7255 LM	11393 LM
EFFICACY	101.6LM/W	101.6LM/W	113.5LM/W	119.2LM/W
OTHER INFORMATION				
LUMINAIRE'S WEIGHT	ON REQUEST	ON REQUEST	ON REQUEST	ON REQUEST

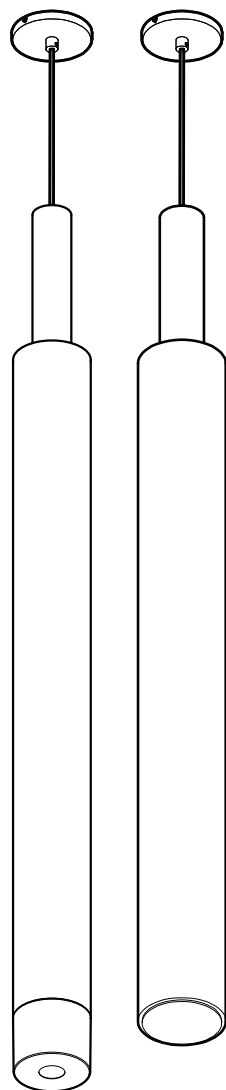
EFFICACY MULTIPLIERS

CRI	CCT	FACTOR
80+	4000K	1.00
80+	3500K	0.97
80+	3000K	0.94
80+	2700K	0.92
90+	4000K	0.86
90+	3500K	0.86
90+	3000K	0.86
90+	2700K	0.80



SENTINEL 4231-XX

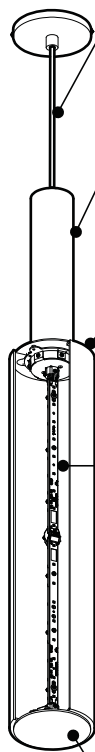
4231-64 4231-60



4231-40



4231-36



SUSPENSION SYSTEM

Single clear power cable for easy mounting and leveling.

DRIVER HOUSING

Chrome finish housing with integrated electronic dimming driver (standard).

INTERNAL STRUCTURE

Extruded aluminum structure designed to maximize thermal performance and diffusion.

LED LIGHT ENGINE

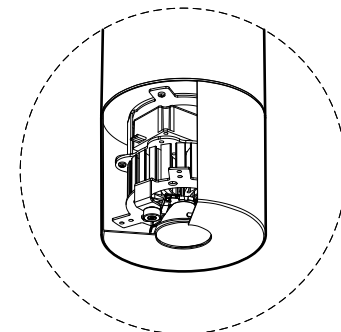
ANSI binned white LED (Nichia) w/on-board thermal management, mounted on 3 sides of an internal vertical structure.

DIFFUSER ASSEMBLY

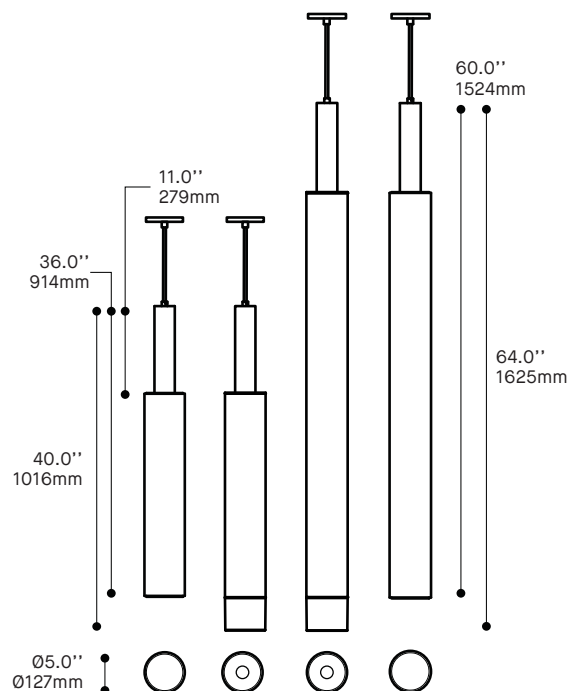
Matte white acrylic cylinder body closed at bottom with special treatment to protect surfaces from dust and dirt.

DECORATIVE CAP

Heavy gauge metal Ø4.5" bottom flat knob in chrome finish.



OPTIONAL DOWNLIGHT MODULE
11W LED COB with 20° or 40° beam angle



PRODUCT SPECIFICATION 4231-36 4231-60 4231-40 4231-64

PERFORMANCE

SYSTEM WATTAGE	34.7W	68.2W	48.8W	82.3W
DELIVERED LUMENS (4000K)	2939 LM	6030 LM	4596 LM	7699 LM
EFFICACY	84.6LM/W	88.4LM/W	94.2LM/W	93.5LM/W

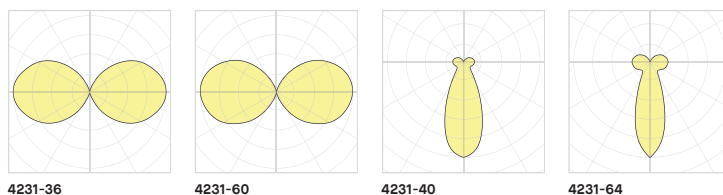
OTHER INFORMATION

LUMINAIRE'S WEIGHT	ON REQUEST	ON REQUEST	ON REQUEST	ON REQUEST
--------------------	------------	------------	------------	------------

EFFICACY MULTIPLIERS

CRI	CCT	FACTOR
80+	4000K	1.00
80+	3500K	0.97
80+	3000K	0.94
80+	2700K	0.92
90+	4000K	0.86
90+	3500K	0.86
90+	3000K	0.86
90+	2700K	0.80

LIGHT DISTRIBUTION

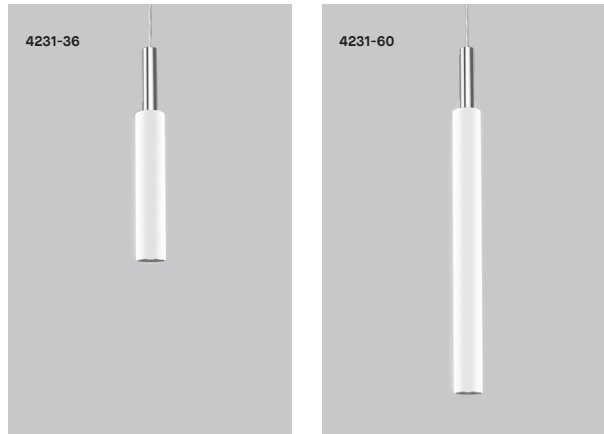


Visit our website for warranty terms and conditions.



SENTINEL 4231

PROJECT PROJET
SPEC TYPE
NOTES



OPTIONS



4231-40/4231-64 (+ SPOT)

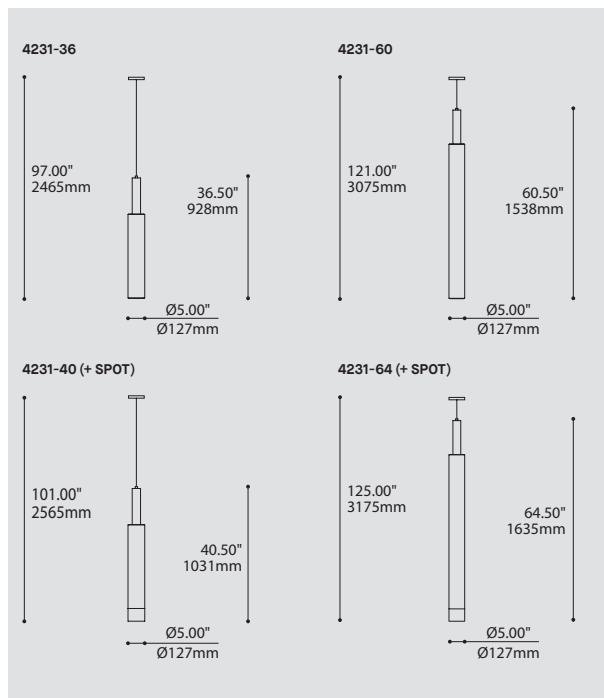
FAMILY FAMILLE



4241



4241 (SPOT)



ORDERING SPECIFICATION SPÉCIFICATION DE COMMANDE		CODE
MODEL MODÈLE		
4231-36	SENTINEL 36"	
4231-40	SENTINEL 40" (+ SPOT)	
4231-60	SENTINEL 60"	
4231-64	SENTINEL 64" (+ SPOT)	
LIGHT SOURCE SOURCE LUMINEUSE		
(WATTAGE, LAMP TYPE, OTHER INFO)		
4231-36		
LED	REGULAR OUTPUT	
4231-40		
LED	REGULAR OUTPUT	
4231-60		
LED	REGULAR OUTPUT	
4231-64		
LED	REGULAR OUTPUT	
COLOR TEMPERATURE TEMPÉRATURE DE COULEUR		
30	3000K	
35	3500K	
40	4000K	
BEAM ANGLE ANGLE DE FAISCEAU		
FOR 4231-40 AND 4231-64 ONLY.		
20	20°	
40	40°	
VOLTAGE VOLTAGE		
120V	120 VOLT	
277V	277 VOLT	
DIMMING OPTION OPTION DE GRADATION		
DV	0-10V DIMMING (120-277V)	
DP*	PHASE DIMMING (120V ONLY)	
LED DIMMING DRIVER IS STANDARD IN THIS PRODUCT. PLEASE SPECIFY YOUR DIMMING TYPE.		
*NOT AVAILABLE WITH 4231-60 AND 4231-64		
CABLE CABLE		C
C	CLEAR CABLE, FIELD ADJUSTABLE	
CABLE LENGTH LONGUEUR DE CABLE		
60	60" CABLE (STD LENGTH)	
**	CUSTOM CABLE LENGTH (PLEASE SPECIFY)	
FOR OVERALL LENGTH PLEASE CONTACT YOUR EUREKA REPRESENTATIVE.		
STRUCTURE FINISH FINI STRUCTURE		WHE
WHE*	WHITE FINE TEXTURE	
*CYLINDER ALWAYS CHROME.		
DIFFUSER FINISH FINI DIFFUSEUR		WH
WH	WHITE	

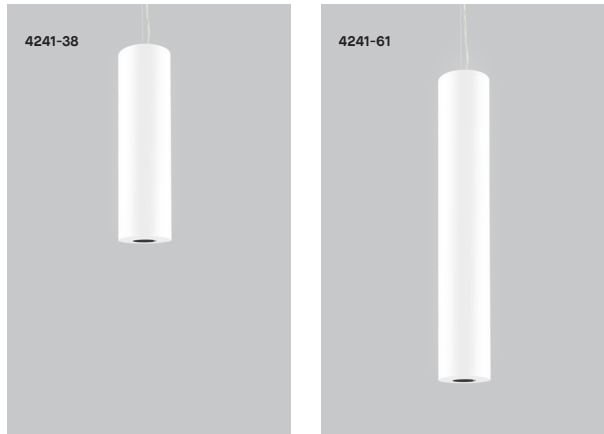
PRODUCT CHARACTERISTICS CARACTÉRISTIQUES DU PRODUIT



DESIGN:	Classic cylindrical design emitting soft and diffused light. This large format tube (Ø5") is available in 36" or 60" lengths, each featuring an integrated driver inside the chromed top compartment. Also available with a 11W downlight module for floor illumination.
LIGHT SOURCE:	Custom built LED modules, with standard 0-10V or phase dimming. Optional 11W down light with a choice of beam angles: narrow 20° or wide 40° lens.
STRUCTURE:	Chrome finished driver compartment and matching canopy. Internal light engines are mounted upon a custom aluminum extrusion.
DIFFUSER:	High quality matte white acrylic body with closed top and bottom for perfect diffusion.
CERTIFIED:	c-CSA-us
CONCEPTION:	Design cylindrique classique procurant une lumière diffuse et douce. Ces tubes grands formats (Ø5") sont offerts en longueurs de 36" ou 60" incluant l'unité d'alimentation dissimulée dans le dessus chromé. Aussi offert avec un projecteur 11W procurant un éclairage direct vers le bas.
SOURCE LUMINEUSE:	DEL offertes avec gradation standard de type 0-10V ou phase. Projecteur optionnel de 11W offert avec angles de faisceaux étroit (20°) ou large (40°).
STRUCTURE:	Pavillon et compartiment pour l'unité d'alimentation en fini chromé. Les bandes DEL sont assemblées sur une extrusion centrale en aluminium fabriquée sur mesure.
DIFFUSEUR:	Tube central avec embouts fermés fait d'acrylique blanc mat de haute qualité, pour une diffusion parfaite.
CERTIFIÉ:	c-CSA-us

CANNON 4241

PROJECT PROJET
SPEC TYPE
NOTES



OPTIONS



4241-40 / 4241-63 (+ SPOT)

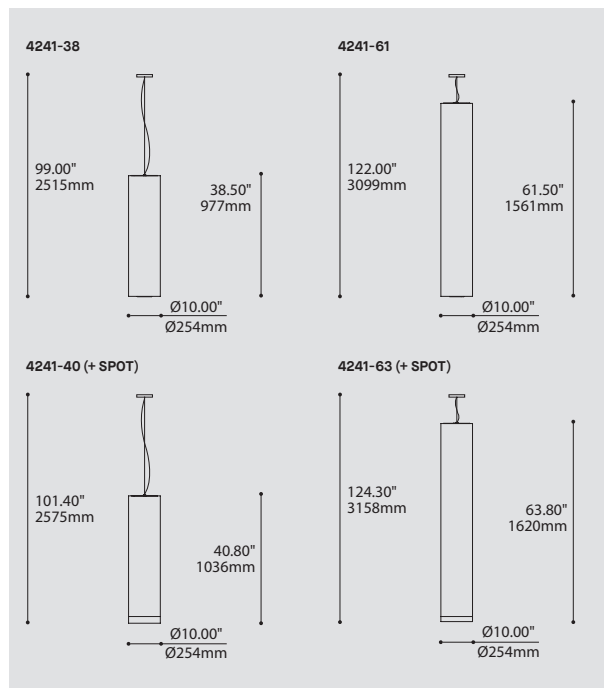
FAMILY FAMILLE



4231



4231 (SPOT)



ORDERING SPECIFICATION	SPECIFICATION DE COMMANDE	CODE
MODEL MODÈLE		
4241-38	CANNON 38"	
4241-40	CANNON 40" (+ SPOT)	
4241-61	CANNON 61"	
4241-63	CANNON 63" (+ SPOT)	
LIGHT SOURCE SOURCE LUMINEUSE		
(WATTAGE, LAMP TYPE, OTHER INFO)		
4241-38		
LED	REGULAR OUTPUT	
4241-40		
LED	REGULAR OUTPUT	
4241-61		
LED	REGULAR OUTPUT	
4241-63		
LED	REGULAR OUTPUT	
COLOR TEMPERATURE TEMPÉRATURE DE COULEUR		
30	3000K	
35	3500K	
40	4000K	
BEAM ANGLE ANGLE DE FAISCEAU		
FOR LED.55 AND LED.83 ONLY		
20	20°	
40	40°	
VOLTAGE VOLTAGE		
120V	120 VOLT	
277V	277 VOLT	
DIMMING OPTION OPTION DE GRADATION		
DV	0-10V DIMMING (120-277V)	
DP	PHASE DIMMING (120V ONLY)	
LED DIMMING DRIVER IS STANDARD IN THIS PRODUCT. PLEASE SPECIFY YOUR DIMMING TYPE.		
CABLE CABLE		AC
AC	AIRCRAFT MOUNTING & CLEAR CABLE, FIELD ADJUSTABLE	
CABLE LENGTH LONGUEUR DE CABLE		
60	60" AIRCRAFT CABLE (STD LENGTH)	
**	CUSTOM AIRCRAFT CABLE LENGTH (PLEASE SPECIFY)	
FOR OVERALL LENGTH PLEASE CONTACT YOUR EUREKA REPRESENTATIVE.		
STRUCTURE FINISH FINI STRUCTURE		WHE
WHE	WHITE FINE TEXTURE	
DIFFUSER FINISH FINI DIFFUSEUR		WH
WH	WHITE	

PRODUCT CHARACTERISTICS CARACTÉRISTIQUES DU PRODUIT



DESIGN:	Classic cylindrical design emitting soft and diffused light. This extra large format tube (Ø10") is available in 38" or 61" lengths, each featuring an integrated driver inside the fixture. Also available with a 11W downlight module for floor illumination.
LIGHT SOURCE:	44W (4241-38) or 72W (4241-61) custom built LED modules, with standard 0-10V or phase dimming. Optional 11W down light with a choice of beam angles: narrow 20° or wide 40° lens. Chrome finished bottom plate and white canopy. Internal light engines are mounted on a custom aluminum structure.
STRUCTURE:	High quality matte white acrylic body with closed top and bottom for perfect diffusion.
DIFFUSER:	CERTIFIED: c-CSA-us
CONCEPTION:	Design cylindrique classique procurant une lumière diffuse et douce. Ces tubes extra grands formats (Ø10") sont offerts en longueurs de 38" ou 61" incluant une unité d'alimentation DEL dissimulée dans le boîtier chromé. Aussi offert avec un projecteur 11W procurant un éclairage direct vers le bas.
SOURCE LUMINEUSE:	DEL de 44W (4241-38) ou 72W (4241-61) offertes avec gradation standard de type 0-10V ou phase. Projecteur optionnel de 11W offert avec angles de faisceaux étroit (20°) ou large (40°).
STRUCTURE:	Compartment pour unité d'alimentation électronique et pavillon au fini blanc texturé. Les bandes lumineuses DEL sont assemblées sur une structure centrale en aluminium conçue sur mesure.
DIFFUSEUR:	Tube central avec embouts fermés fait d'acrylique blanc mat de haute qualité, pour une diffusion parfaite.
CERTIFIÉ:	c-CSA-us

Photometric Report

4231-36-LED

CCT (K):	4000
Delivered Lumens (lm)	2939
System wattage (W)*:	34.7
Distribution:	Direct-Indirect
Delivered Efficacy (lm/W):	85
Photometric type	C

Luminous dimensions

Luminous shape:	Rectangle
Units:	in (mm)
0-180 Axis:	4.8 (121.92)
90-270 Axis:	4.8 (121.92)
Height:	36 (914.40)

Luminaire spacing criteria

2 luminaires, plane 0:	10.79
2 luminaires, plane 90:	10.79
4 luminaires:	9.75

*System wattage includes driver and LED module consumption

4231-60-LED

CCT (K):	4000
Delivered Lumens (lm)	6030
System wattage (W)*:	68.2
Distribution:	Direct-Indirect
Delivered Efficacy (lm/W):	88
Photometric type	C

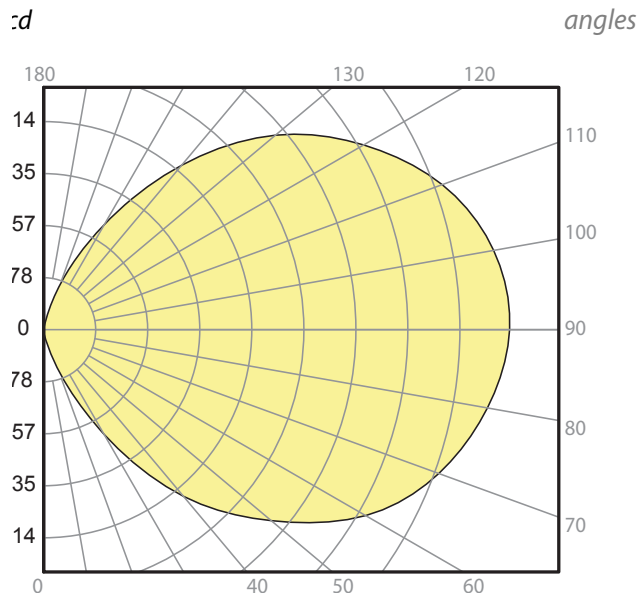
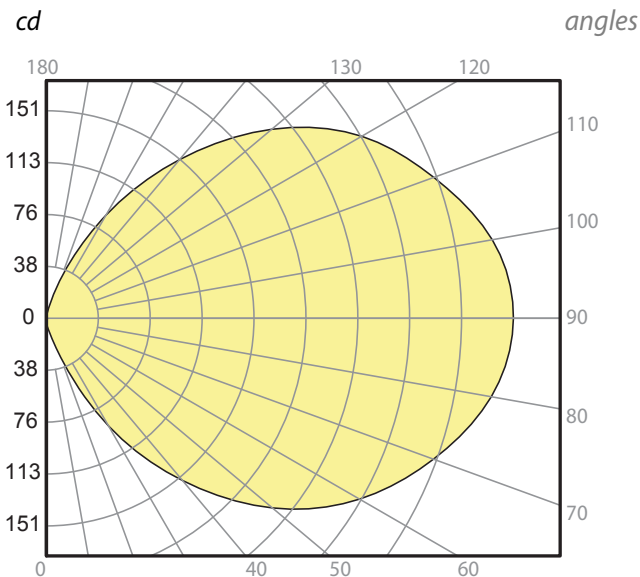
Luminous dimensions

Luminous shape:	Rectangle
Units:	in (mm)
0-180 Axis:	4.8 (121.92)
90-270 Axis:	4.8 (121.92)
Height:	60 (1524.0)

Luminaire spacing criteria

2 luminaires, plane 0:	13.79
2 luminaires, plane 90:	13.79
4 luminaires:	11.95

*System wattage includes driver and LED module consumption



Photometric Report

4241-38-LED

CCT (K):	4000
Delivered Lumens (lm)	5073
System wattage (W)*:	49.9
Distribution:	Direct-Indirect
Delivered Efficacy (lm/W):	101.6
Photometric type	C

Luminous dimensions

Luminous shape:	Rectangle
Units:	in (mm)
0-180 Axis:	0.8 (243.84)
90-270 Axis:	0.8 (243.84)
Height:	3.3 (1005.84)

Luminaire spacing criteria

2 luminaires, plane 0:	4.89
2 luminaires, plane 90:	4.89
4 luminaires:	4.55

*System wattage includes driver and LED module consumption

4241-61-LED

CCT (K):	4000
Delivered Lumens (lm)	8454
System wattage (W)*:	83.2
Distribution:	Direct-Indirect
Delivered Efficacy (lm/W):	101.6
Photometric type	C

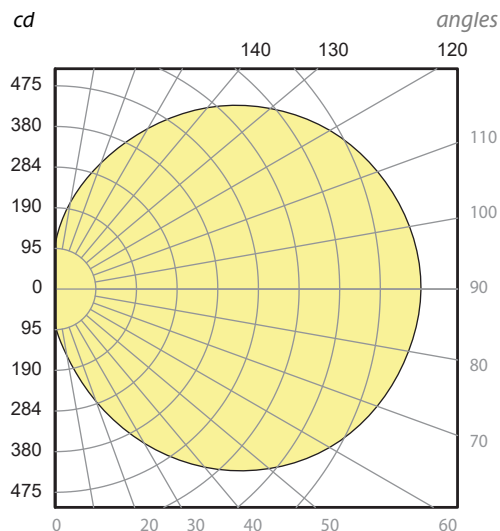
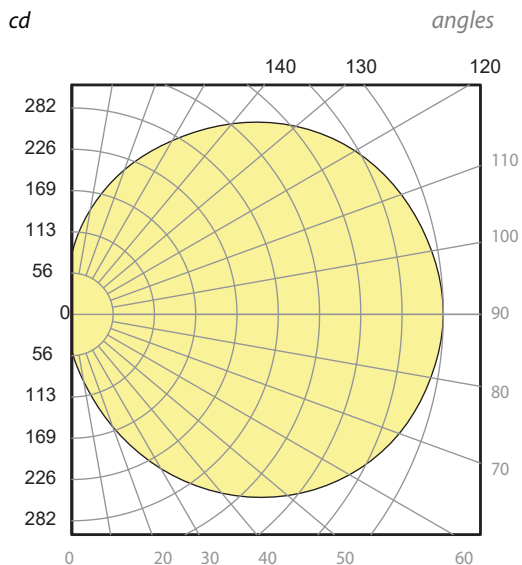
Luminous dimensions

Luminous shape:	Rectangle
Units:	in (mm)
0-180 Axis:	0.8 (243.84)
90-270 Axis:	0.8 (243.84)
Height:	5.2 (1584.9)

Luminaire spacing criteria

2 luminaires, plane 0:	4.89
2 luminaires, plane 90:	4.89
4 luminaires:	4.55

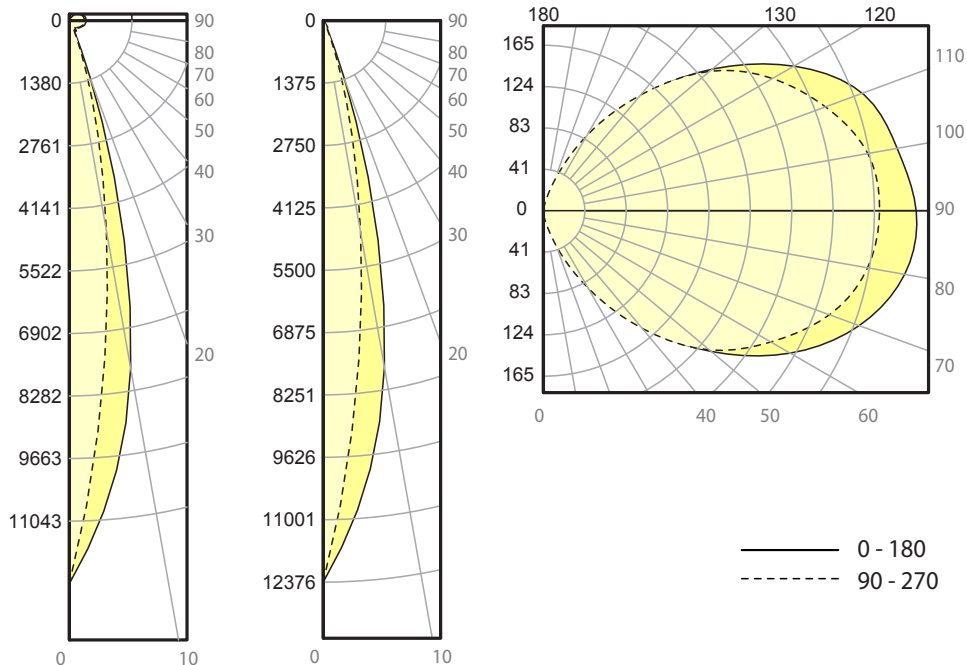
*System wattage includes driver and LED module consumption



Photometric Report

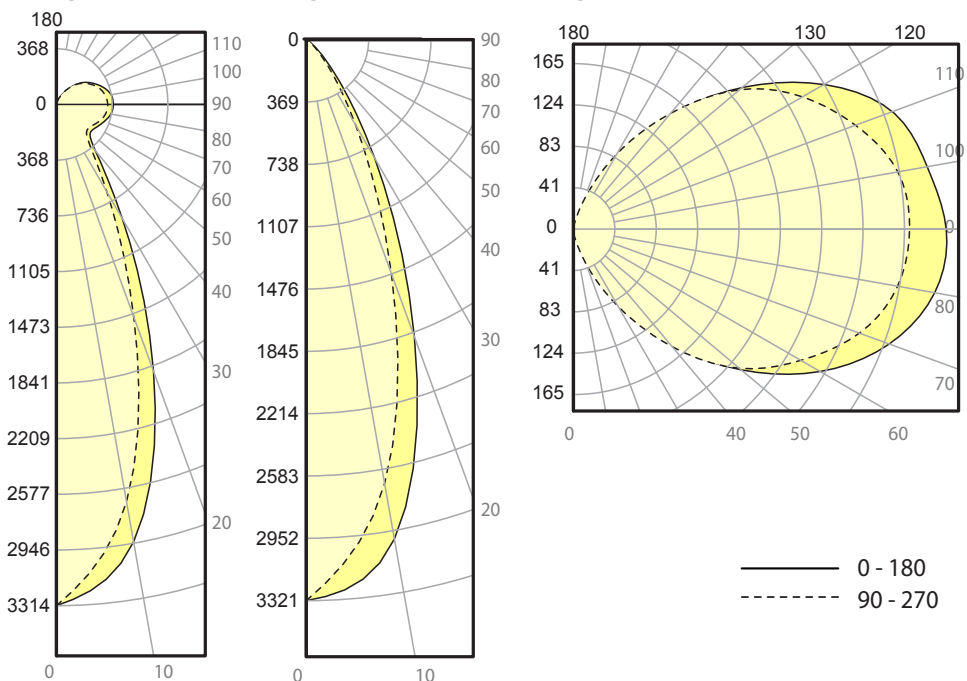
4231-40-20-LED

CCT (K):	4000	4000	4000
Lumens per foot (lm)	4596	1701	2895
System wattage (W)*:	48.8	14.1	34.7
Distribution:	Direct-Indirect	Direct	Indirect
Delivered Efficacy (lm/W):	94	121	83
Photometric type	C	C	C



4231-40-40-LED

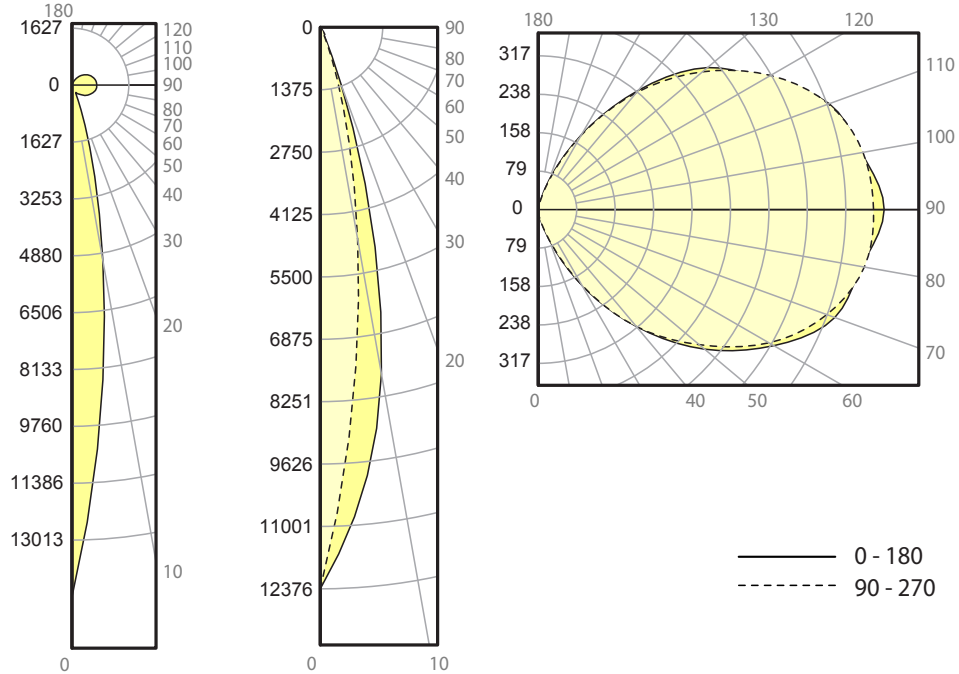
CCT (K):	4000	4000	4000
Lumens per foot (lm)	4592	1697	2895
System wattage (W)*:	48.8	14.1	34.7
Distribution:	Direct-Indirect	Direct	Indirect
Delivered Efficacy (lm/W):	94	120	83
Photometric type	C	C	C



Photometric Report

4231-64-20-LED

CCT (K):	4000	4000	4000
Lumens per foot (lm)	7699	1678	6021
System wattage (W)*:	82.3	14.1	68.2
Distribution:	Direct-Indirect	Direct	Indirect
Delivered Efficacy (lm/W):	94	119	88
Photometric type	C	C	C



4231-64-40-LED

CCT (K):	4000	4000	4000
Lumens per foot (lm)	7677	1656	6021
System wattage (W)*:	82.3	14.1	68.2
Distribution:	Direct-Indirect	Direct	Indirect
Delivered Efficacy (lm/W):	93	117	88
Photometric type	C	C	C

